

SHANTUI

SSL55B

Skid Steer Loader



Engine Model: XINCHAI A498BT1-75
Power: 36.7kW/ 2500rpm
Operating Weight: 2,800kg
Bucket Capacity: 0.43m³

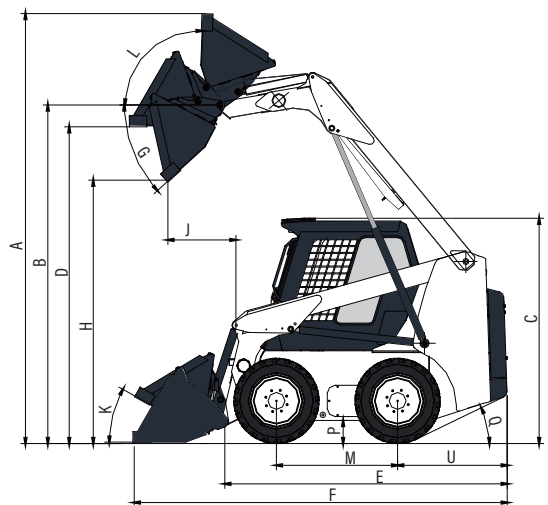
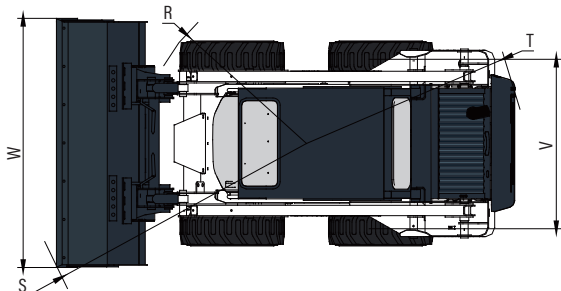
Let's make construction easier

SSL55B SPECIFICATIONS

	UNIT	SSL55C
MAIN SPECIFICATION		
Engine Model		XINCHAI A498BT1-75
Emission Standard		Nation II
Rated Power	kW/rpm	36.7/2500
Operating Weight	kg	2800
Rated Payload	kg	750
Bucket Capacity	m ³	0.43
L×W×H	mm	3320×1530×2000
ENGINE SYSTEM		
Engine Model		XINCHAI A498BT1-75
Rated Power	kW/hp\rpm	36.7/50\2500
Displacement	L	3.168
Stroke	mm	98
Bore	mm	105
WEIGHTS		
Operating Weight	kg	2800
POWER TRAIN		
Travel Speed -F&R(unload)	km/h	9.3
TIRE		
Tyre		10×16.5
HYDRAULIC SYSTEM		
Hydraulic Flow - Standard	L/min/rpm	74
Loader Hydraulic Pressure	MPa	21
Hydraulic Flow - High Flow	L/min/rpm	
Loader Hydraulic Pressure	MPa	
OPERATING SPEC		
Rated Payload	kg	750
Tipping Load	kg	1520
Breakout Force	kN	20.3
Traction Force	kN	18.1

SERVICE REFILL CAPACITY		
Chain Box, Each Side	L	9
Cooling System	L	12
Engine Crankcase	L	8
Fuel Tank	L	83
Hydraulic Tank	L	65

DIMENSIONS			
		UNIT	SSL55C
A	Max.Operation Height	mm	3850
B	Bucket Pin Height	mm	2920
C	Cab Roof Height	mm	2000
D	Max.Height at Bucket Leveled	mm	2730
E	Length without Attachment	mm	2420
F	Length with Standard Bucket	mm	3320
H	Dumping Height	mm	2180
J	Reach Rollback	mm	790
M	Wheelbase	mm	1050
P	Ground Clearance	mm	210
R	Front Turning Radius without Attachment	mm	1200
S	Front Turning Radius	mm	2060
T	Rear Turning Radius	mm	1520
U	Tail Length	mm	960
V	Center Distance between Two Wheels	mm	1240
W	Bucket Width	mm	1530
G	Dumping Angle at Max.Height	°	39
K	Bucket Angle on Ground	°	28
L	Bucket Rollback Angle At Max.Height	°	94
Q	Start Angle	°	27



* THE SPECIFICATIONS ARE SUBJECT TO CHANGE WITHOUT NOTICE. THE PICTURES MAY INCLUDE OPTIONS. THE ACTUAL COLOR & APPEARANCE OF THE PRODUCT MAY DIFFER FROM WHAT IS SHOWN.



Shantui Social

SHANTUI CONSTRUCTION MACHINERY CO., LTD.
 ADD: No. 58, G327 Highway, Jining City, Shandong, CHINA
 TEL: +86-537-2909369
 FAX: +86-537-2311219
 EMAIL: trade@shantui.com
 WEB: www.shantui.com

SHANTUI
 LET'S MAKE CONSTRUCTION EASIER